

# TRAINING SUMMARY

**TOTAL DURATION :-144 HOURS**

**48 HOURS LIVE PRACTICAL TRAINING  
WITH**

**96 HOURS LIVE PRACTICAL TRAINING SUPPORT  
VIA MICROSOFT TEAM, REMOTE ACCESS,  
WHATSAPP,MOBILE ,EMAIL ETC**

**STUDENT WILL ALSO GET SOFTCOPY OF STUDY  
MATERIALS,SESSION WISE VIDEO TUTORIALS,DAY TO  
DAY CLASS VIDEO RECORDING ON DEMAND.**

# SOLIDWORKS SYLLABUS

Created by industry Experts, Students learn by doing actual drawings with Official Certified Instructors. Students are taught many commands and tools to create drawings fast and easy. Our Certified Instructors will make sure no one is left behind.



# STUDENT WILL LEARN

## Session 1

Introduction to SOLIDWORKS

History

Exploring GUI

Sketch

Define the drawing

with dimensions

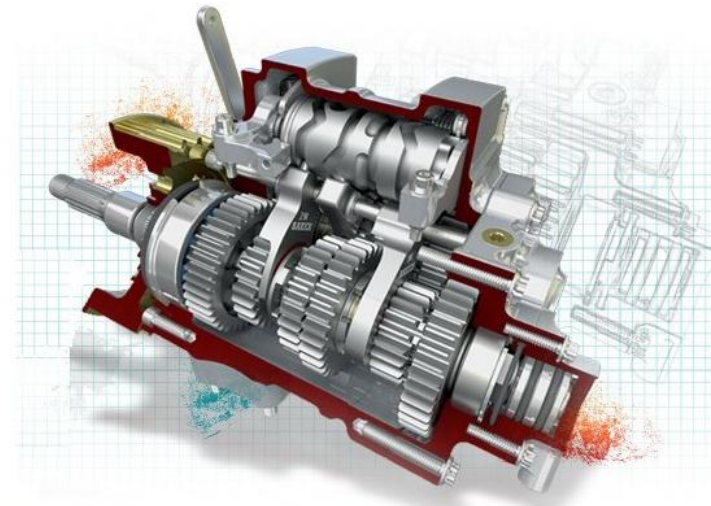
and relations 3D Feature:

Extrude

Extruded cut

Fillet

Chamfer.



# Session 2

## 3D Feature:

### Reference Geometry

### Mirror

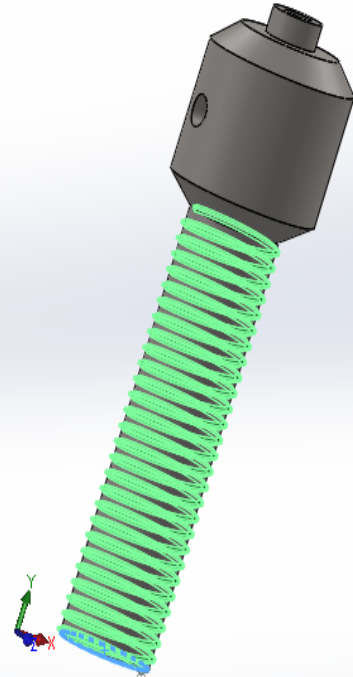
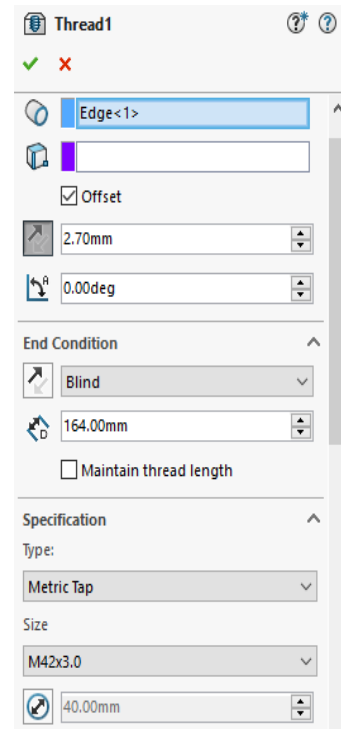
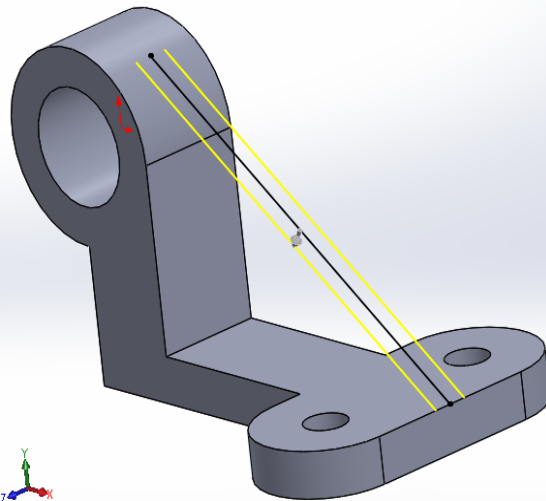
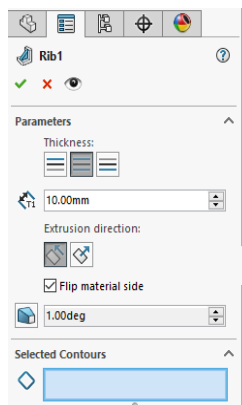
### Revolve

### Revolved cut

### Hole Wizard

### Thread

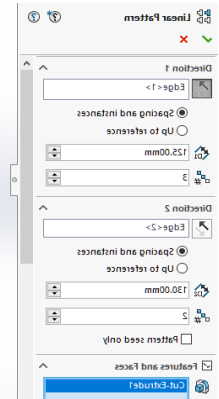
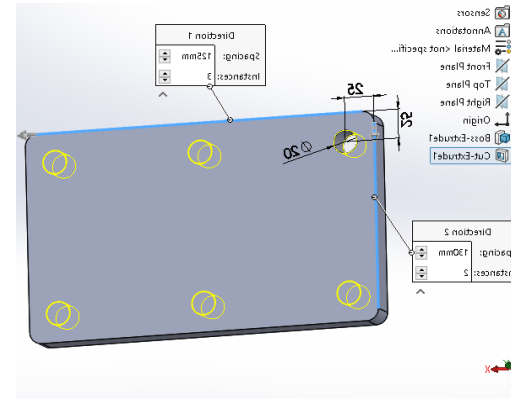
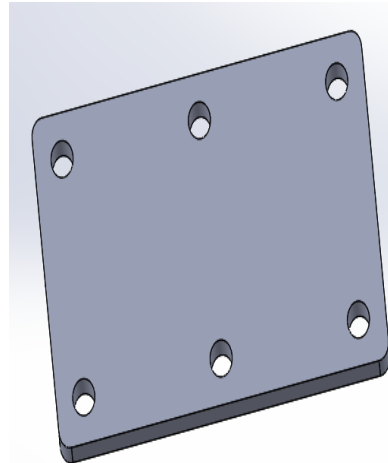
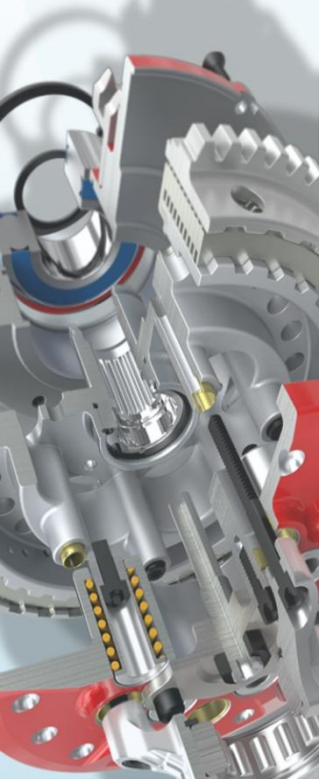
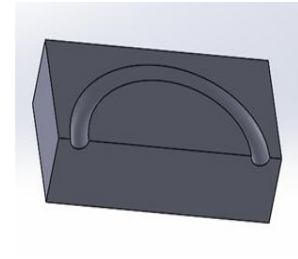
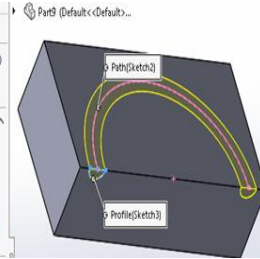
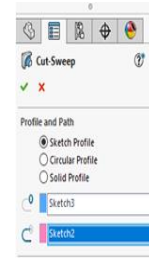
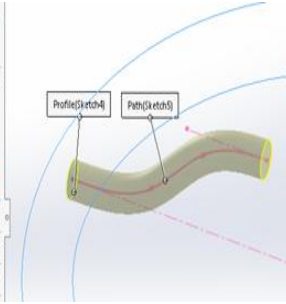
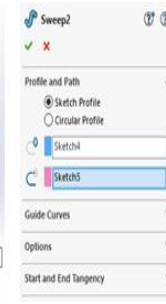
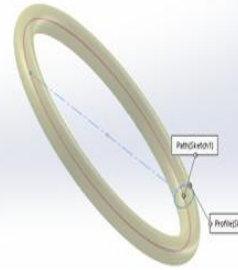
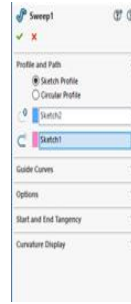
### Rib



# Session 3

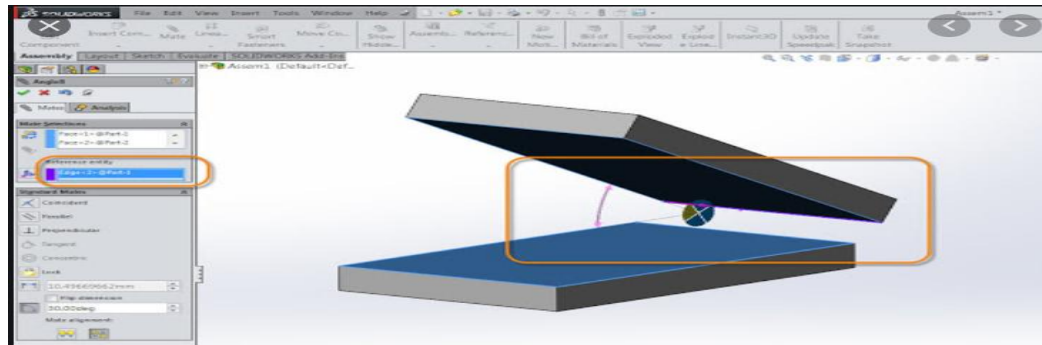
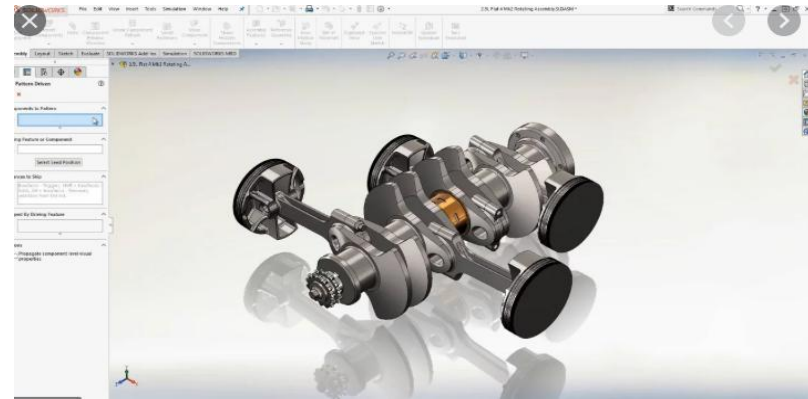
## 3D Feature:

- Swept
- Swept Cut
- Loft
- Lofted Cut
- Linear and Circular Pattern
- Draft
- Shell.



# Session 4

## Assembly: Bottom up assembly Insert, Mate.



# Session 5

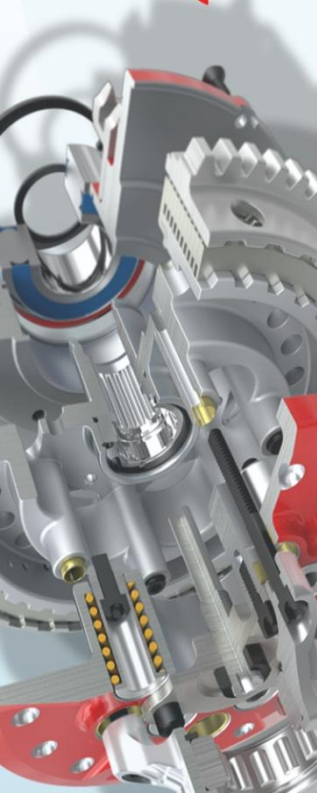
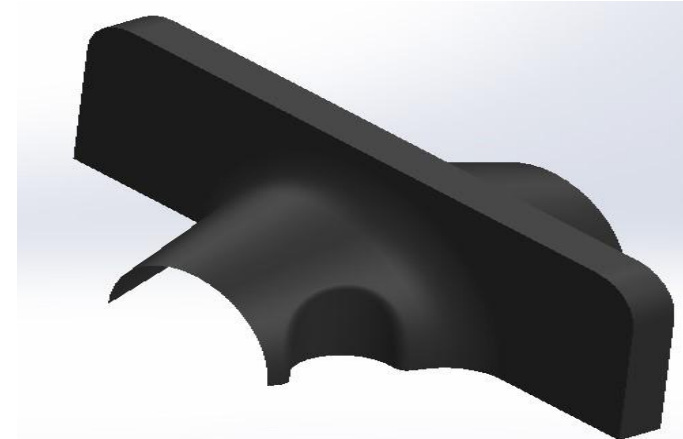
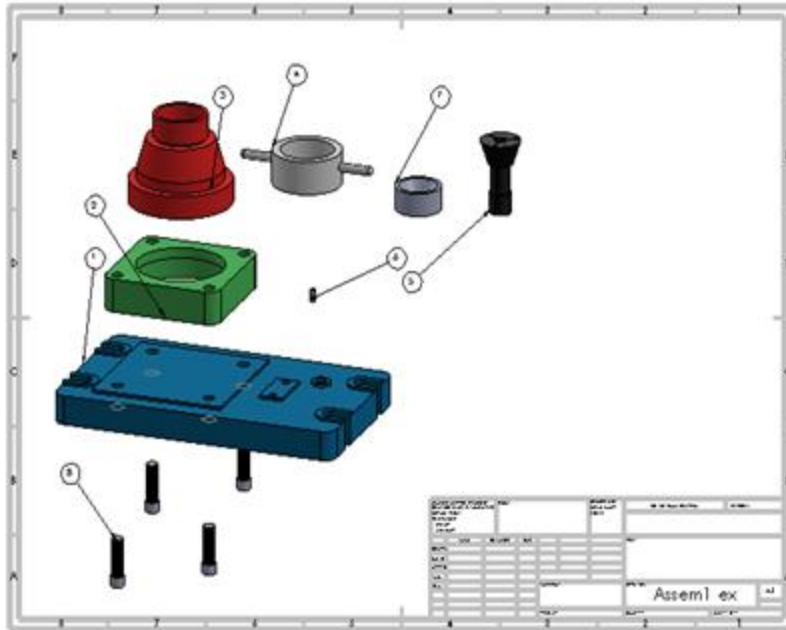
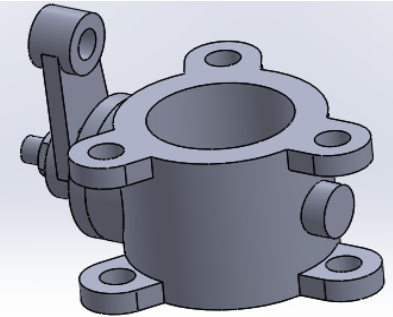
## Drafting and detailing

### BOM

### Balloons

### Basics of surfacing.

ITEM NO.	PART NUMBER	QTY.
1	body	1
2	arm	1
3	shaft	1
4	plate	1
5	retainer	1
6	screw	3
7	nut	1





**DS SOLIDWORKS**



# ➤ Project

**STUDENT WILL BE ELIGIBLE FOR COURSE  
COMPLETION CERTIFICATE AFTER  
SUCCESSFUL COMPLETION OF TRAINING.**